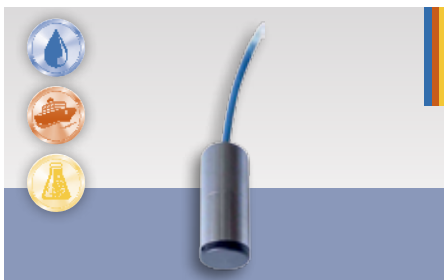


# Hydrostatic measurement method - Stainless steel level sensor ENS

## Stainless steel level sensor ENS



With ceramic measuring cell, shielded cable and a specially designed stainless steel enclosure, Condor offers a precision level sensor for all different types of applications, like e.g. wastewater. The sensor offers extremely high media resistance and the especially large membrane makes the sensor insensitive to pollution.

The ENS level sensor is also available with ATEX (explosive atmosphere) approval.

The shielded cable protects the output signal (4 – 20 mA) against electromechanical influences.

Order reference	Type Code	Measuring range	Cable length	EX Approval	Weight (in g)	Part No.
ENS 1/10		bis 1,0 m	10 m		1000	245414
ENS 4/10		bis 4,0 m	10 m		1000	290193
ENS 10/15		bis 10,0 m	15 m		1250	290049
ENS 1/10 EX		bis 1,0 m	10 m	X	1000	245421
ENS 1/15 EX		bis 1,0 m	15 m	X	1250	245438
ENS 1/20 EX		bis 1,0 m	20 m	X	1500	290025
ENS 1/25 EX		bis 1,0 m	25 m	X	1750	245445
ENS 1/30 EX		bis 1,0 m	30 m	X	2000	245452
ENS 4/10 EX		bis 4,0 m	10 m	X	1000	242673
ENS 4/15 EX		bis 4,0 m	15 m	X	1250	242680
ENS 4/20 EX		bis 4,0 m	20 m	X	1500	290209
ENS 4/25 EX		bis 4,0 m	25 m	X	1750	290216
ENS 4/30 EX		bis 4,0 m	30 m	X	2000	290230
ENS 4/40 EX		bis 4,0 m	40 m	X	2500	290247
ENS 10/10 EX		bis 10,0 m	10 m	X	1000	242703
ENS 10/15 EX		bis 10,0 m	15 m	X	1250	242697

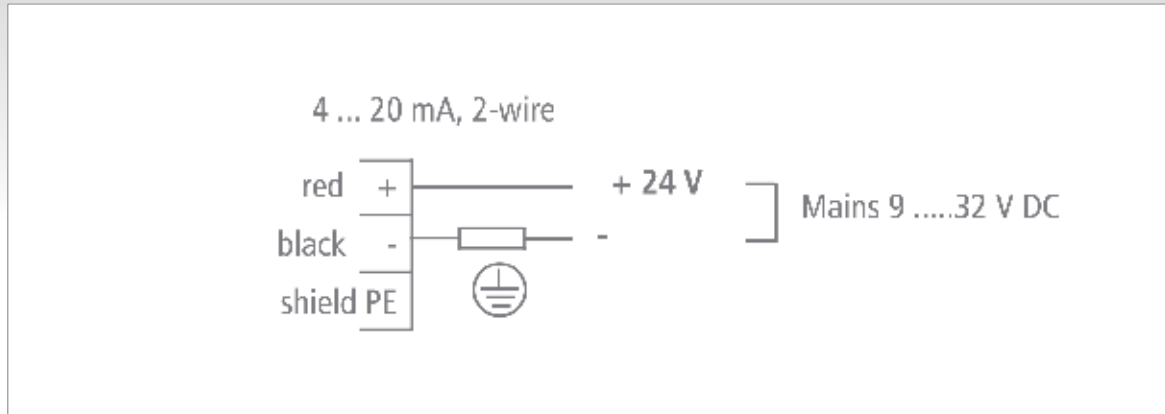
### Accessories ENS

Description	Weight (in g)	Part No.
Galvanized fixing clamp for level sensor	165	290223
Stainless steel fixing clamp for level sensor	170	282396
Protective cap for level sensor as replacement	12	282372
Terminal box ENS - to extend the connection line of electronic immersion sensors -	30 g	282389

Technical operating data	
Measuring range	0 – 25 mbar (0 - 0,254 mWs) up to 0 – 60 bar (0 - 612 mWs)
Output signal	4 – 20 mA, 2-wire
Accuracy	< 0,2 % v. M.E.
Adjustment time	200 ms (other values on demand)
Auxiliary voltage	9...32 V DC, max. 30 mA (12...30 V for EX-type)
Temperature range	-25...80 °C (-25...70 °C for EX-type)

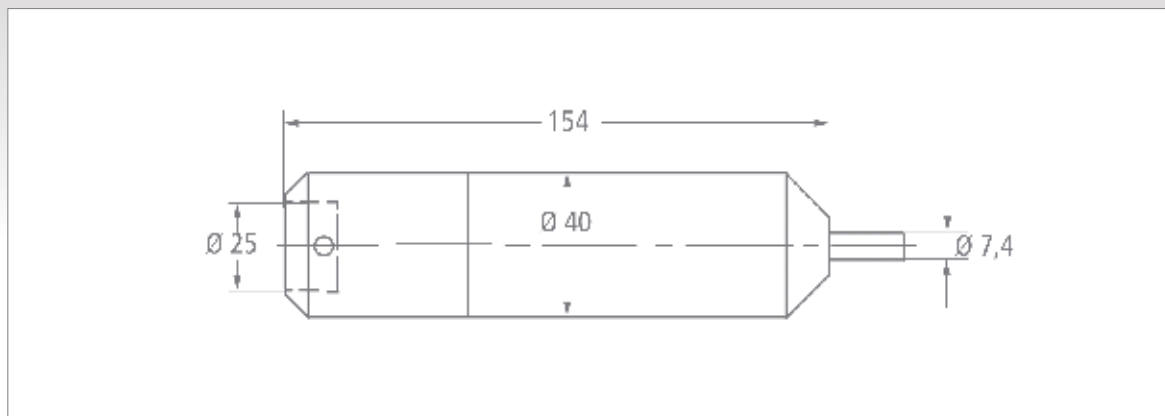
Technical operating data	
Temperature influence	< 0,015 %/K of measuring range
Housing	Stainless steel, 1.4571
Degree of Protection	IP 68
Electrical connection	Kevlar braided PE cable, wire cross-section 0,34 mm <sup>2</sup> , with pressure compensation
EX-protection	EEx ia IIC T6

## Wiring diagram ENS



Level Sensor ENS

## Dimensions ENS



Level Sensor ENS

## Application example:



Level sensor ENS  
Monitors e.g. Wastewater/Water level in a pump shaft