

Control pressure switch MDR - K

Control pressure switch MDR - K

...for the mass production, perfect for industrial customers!



- OEM applications
- Robust control pressure switch
- Simple assembly
- With bayonet coupling
- 2 SPDT's
- Acc. to EN 60947
- Degree of Protection IP 67
- Flange = aluminium die-cast
- **Factory fixed pressure settings (by customer's requirements)**

The MDR-K control pressure switch is distinguished by its robust construction and the fact that it is fitted with 2 sets of change-over contacts. It is ideally suited for applications for which two galvanically isolated contacts are required, regardless of whether they are openers or closers.

This pressure switch was specially designed for use in critical areas (water) or for use outdoors, as it has the highest possible protection rating, IP 67, combined with an electrical connection in the form of a bayonet coupling.

Type overview MDR-K with aluminium die-cast flange

and NBR diaphragm. Pressure switch with bayonet coupling.
Pressure connection: G 3/8" inner thread

Order reference	Type Code	Adjustable cut-in pressure (bar)	Smallest pressure diff. (bar)*	Adjustable cut-out pressure (bar)	Weight (in g)	Part No.
MDR-K 2	MDR-K 2 HAK KCA X 010A020	0,4 ... 1,8	0,1 0,2	0,5 ... 3		264514
MDR-K 6	MDR-K 6 HAK KCA X 030A040	1,3 ... 5,5	0,2 0,5	1,5 ... 7		264521
MDR-K 11	MDR-K 11 HAK KCA X 080A090	5,3 ... 10,4	0,4 0,6	5,7 ... 12		264539

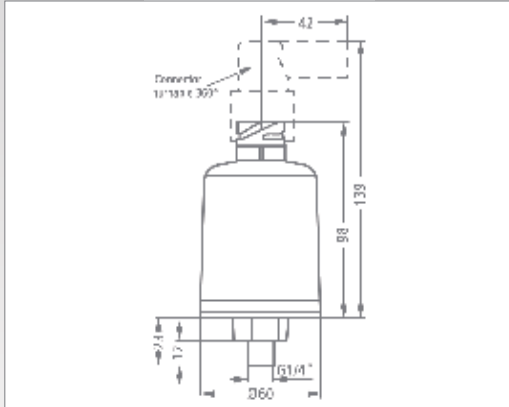
Note: More pressure settings on request.

Technical data MDR K acc. to EN 60947	
Rated operating current I_e AC 1 $U_e=240$ V (1~)	10 A
Rated operating current I_e AC 15 $U_e=240$ V (1~)	4 A
Rated operating current I_e DC 13 $U_e=240$ V (1~)	0,1 A
Permissible motor rating 1~ 230 V	0,55 kW
Mechanical life (AC 15) Cycles	> 1 x 10 ⁶
Mechanical life Cycles	> 1 x 10 ⁶
Max. electrical cycles Cycles/h	600
Max. mechanical cycles Cycles/h	600
Bursting strength Pz	> 60 bar

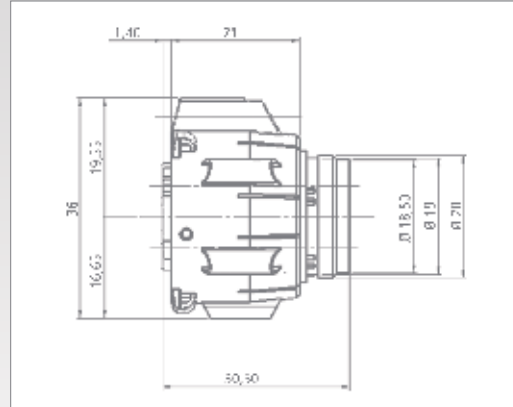
Technical data MDR K acc. to EN 60947	
Vibration resistance	4 g (bei 10 bis 1000 Hz)
Temperature range	- 40 C° bis + 70 C°
Protection acc. to EN 60529	IP 67

Media resistance MDR-K	
A detailed overview of diaphragm media resistance for all pressure switches can be found on page 22. Please read the information carefully.	

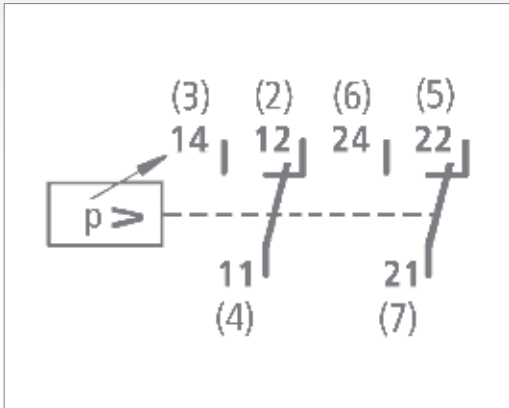
Dimensions / Circuit diagram MDR - K



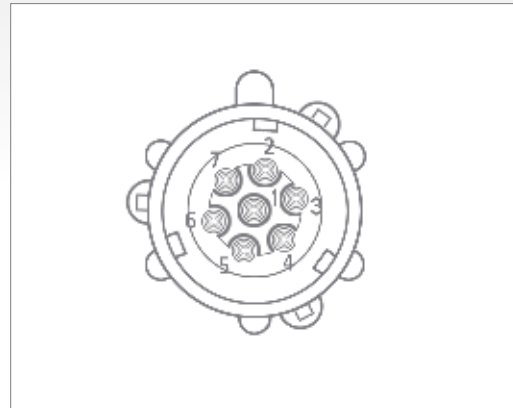
Pressure switch MDR - K



MDR-K bayonet coupling



Circuit diagram MDR - K



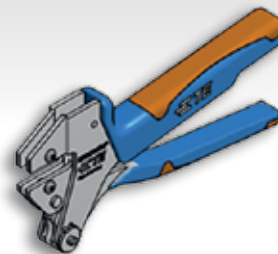
MDR-K bayonet coupling

Accessories MDR-K

Order reference	Description	Weight (in g)	Part No.
	Connection		
MDR-K BK	MDR-K bayonet coupling (ISO 15170-1)	20 g	264545



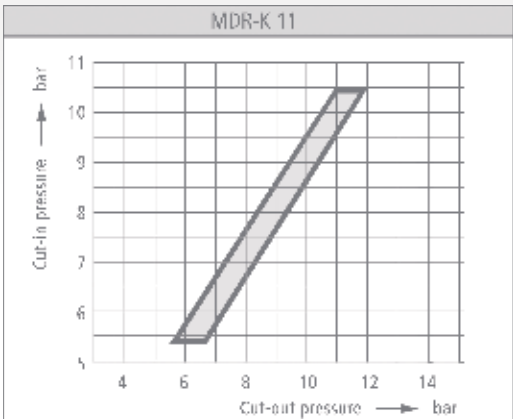
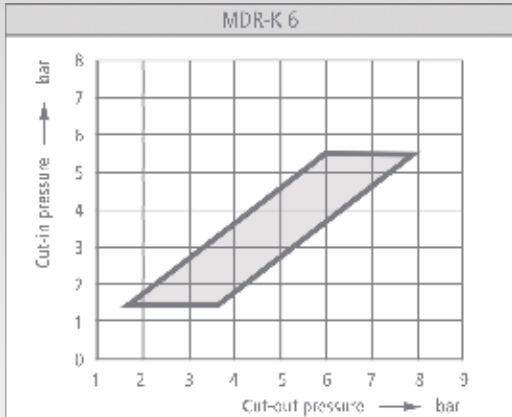
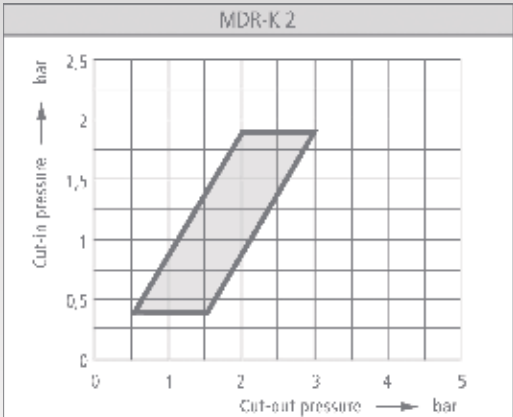
MDR-K bayonet coupling



"Crimping tool"

To connect the six single-core cables 0,75 mm² at the bayonet coupling, a crimping tool is needed (z. Ex. Crimping Hand tool PN539635-1 / Tyco Electronics).

Pressure diagrams MDR - K



Control pressure switches